



C

E

G E-5 5-105 C/H/

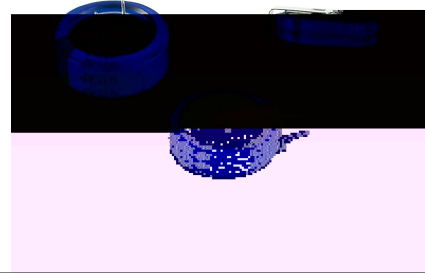
G C .,L .



❖ F

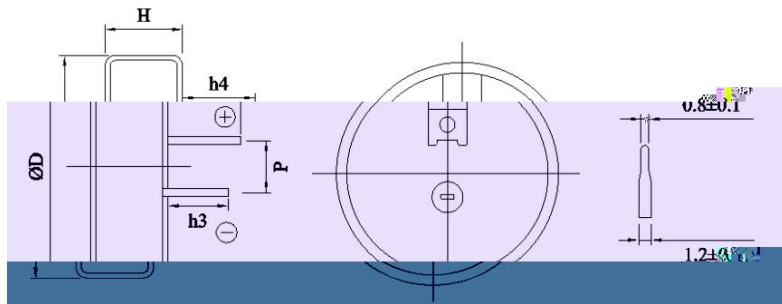
❖ A

❖ G C



I	C

❖ D



: C

I	C	I	C

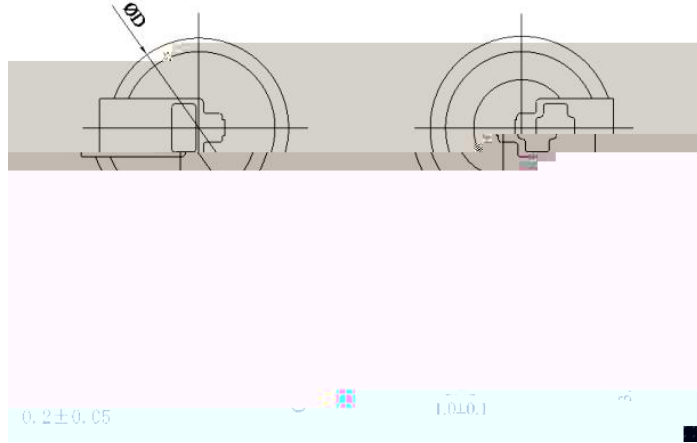
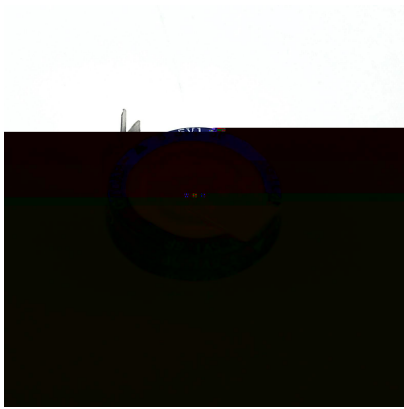
	()		D (L H)		



C

E

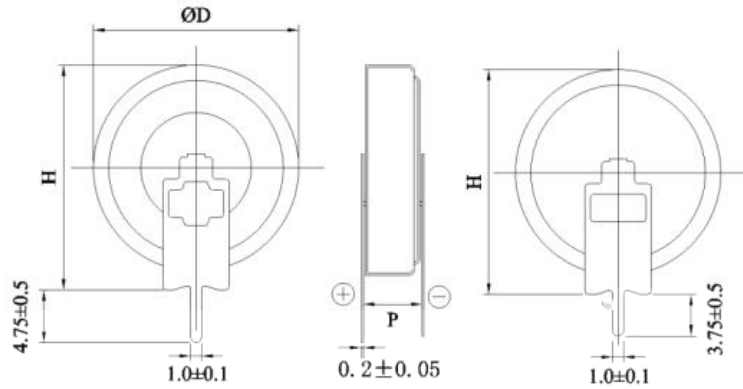
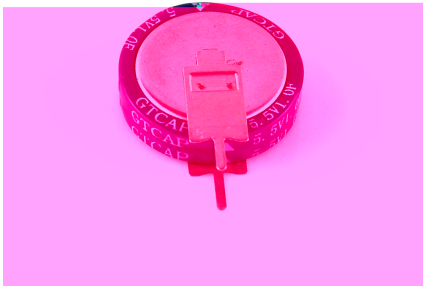
G E-5 5-105 C/H/



: H

I	C	I	C

	()		D	(L H)	



:

I	C	I	C

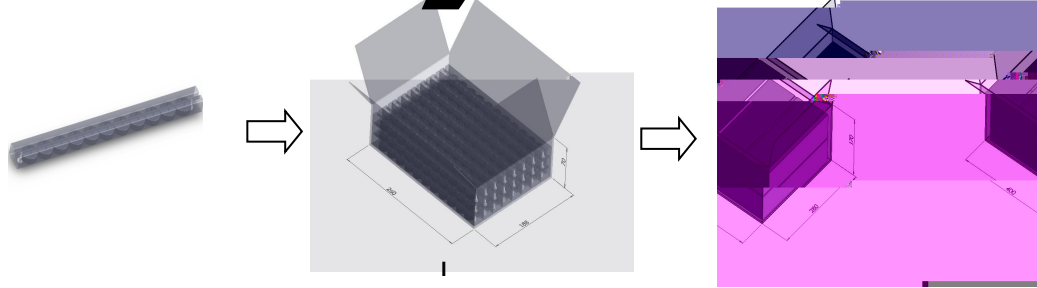
	()		D	(L H)	



C
E-5 5-105 C/H/

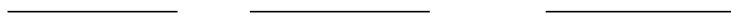
E

❖



❖ H

G E-5 5-105 C/H/ 1000



❖ H

G

1



2 A

G

(

(